

Available as part of the Codemlon healthcare communication system, the Patient LCD TV is a lightweight unit with an adjustable arm and swivel mechanism designed to provide a comfortable viewing position for the patient.

All Digital TV Free-view channels can be provided. An audio-visual input for the connection of a commercially available games console, a DVD player or similar is also provided.

Channels which are inappropriate for the patient to receive, as would be the case in a children's ward for example, can be masked out locally – either on an individual viewing basis or for the entire ward.

Sound is provided through two integral speakers with the option to insert headphones. Channel selection and volume control buttons are provided on a separate hand unit forming part of the nurse call system.

The entire Codemlon product range has been designed with 'quality of patient care' in mind. The TV is easy to operate and can be wiped clean with a damp cloth using a solution such as mild soap and water.

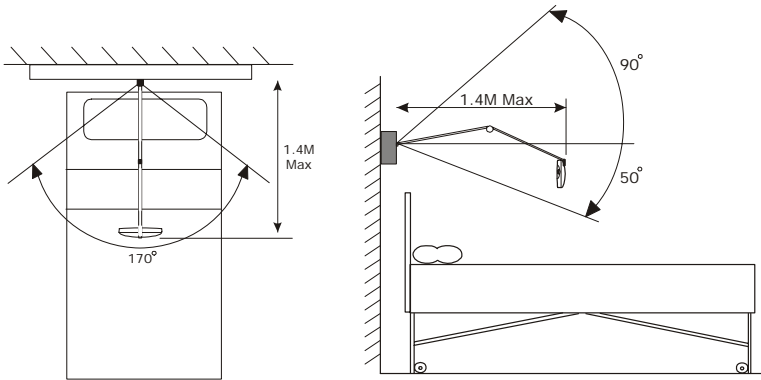


First Class Choice

- Free-to-air digital TV
- DVD channels
- Commercial Radio
- Continual Play Music
- Hospital Broadcast
- Games
- Talking Books

LCD Patient Television

LCD TV Kinetic Arm



Horizontal Swing

Vertical Swing

Specification

Patient Television

- High resolution 8 inch TFT LCD with 16:9 aspect ratio
- Anti-glare screen protector
- LCD Display life expectancy > 40K hours
- High impact plastic enclosure
- Front Enclosure 'Grey' RAL 7015
- Back Enclosure 'Black' RAL 9005
- On-off switch
- 2 no. internal loudspeakers
- 3.5mm jack socket for headphones
- TV controls integral to the nurse call patient hand unit
- Formats supported: Digital Free-view
- Compatible with separate Closed Loop Hearing System
- Ingress Protection: IP54

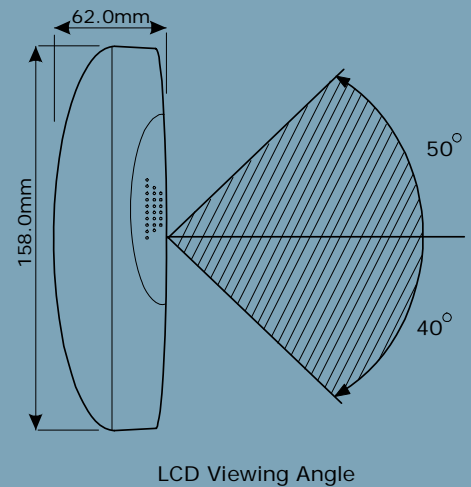
Kinetic Arm:

- Overall reach 1.4 metres
- 170 degree horizontal swing, from wall bracket
- 140 degree vertical swing (90 above and 50 degree's below horizontal)
- 'Papyrus White' RAL 9018 semi-gloss

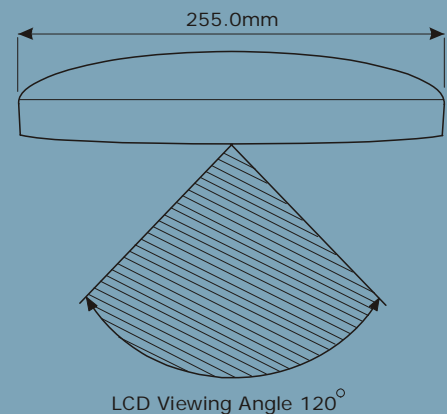
Bedhead Tuner:

- Tuning range: Ch21 – 69 (Digital Free-view TV)
- Provision for games console, DVD player, etc. via Phono input

TV Viewing Angle



LCD Viewing Angle













LCD Viewing Angle 120°

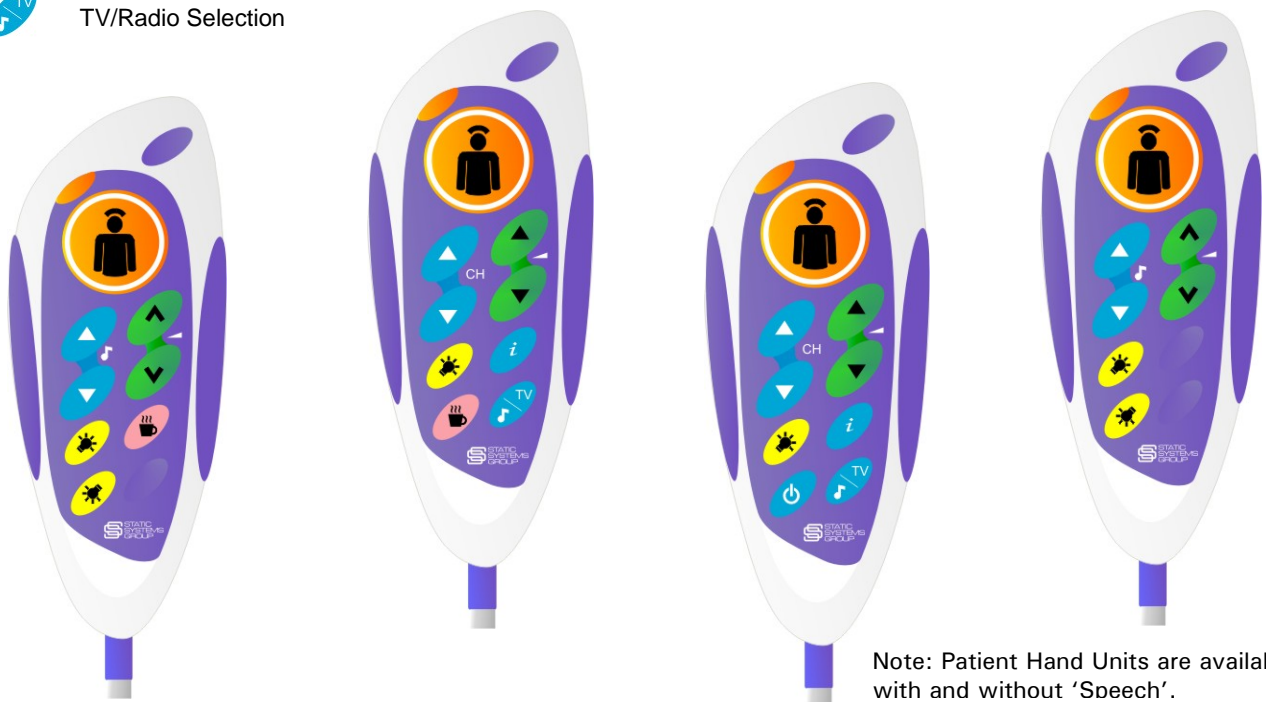
Patient Hand Units

Codemlon patient entertainment systems are fully integrated with the nurse call system, allowing a single hand unit to be used for both functions along with lighting control and 'catering' call.

Codemlon hand units have been designed in consultation with, and are endorsed by, the Royal National Institute of Blind People (**RNIB**) to ensure they are easy to use by people with a wide range of disabilities. To assist with infection control, an anti-microbial agent is added during the manufacturing process. The units can also be cleaned with a disinfectant wipe and are sealed to IP67 to allow immersion in a disinfectant solution.

Key:

- | | | | | | |
|---|----------------------------------|--|---------------------------------|---|--------------------|
|  | Reassurance LED |  | Entertainment Channel Selection |  | Lighting Control |
|  | Patient Call Push |  | Volume Control |  | Catering Call Push |
|  | Entertainment "on/off" | | |  | LED Torch Facility |
|  | Programme Scheduling/Information | | | | |
|  | TV/Radio Selection | | | | |



Note: Patient Hand Units are available with and without 'Speech'.